



KALEO
POOL PRODUCTS

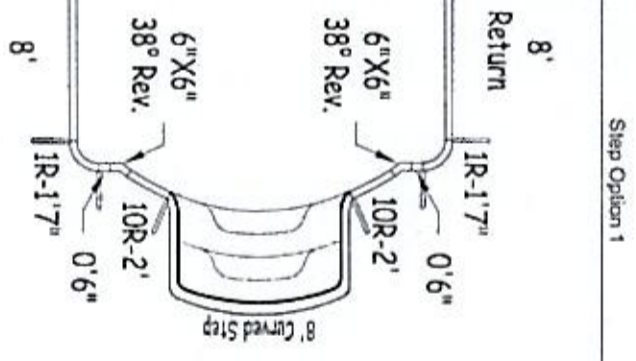
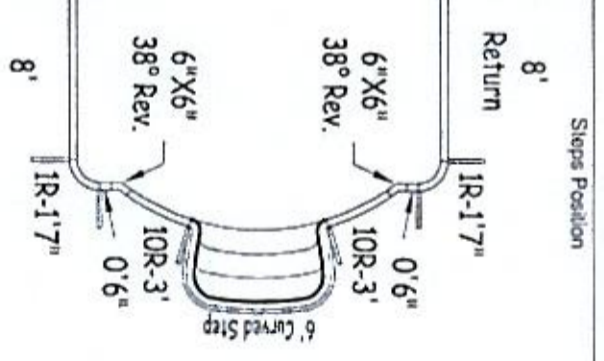
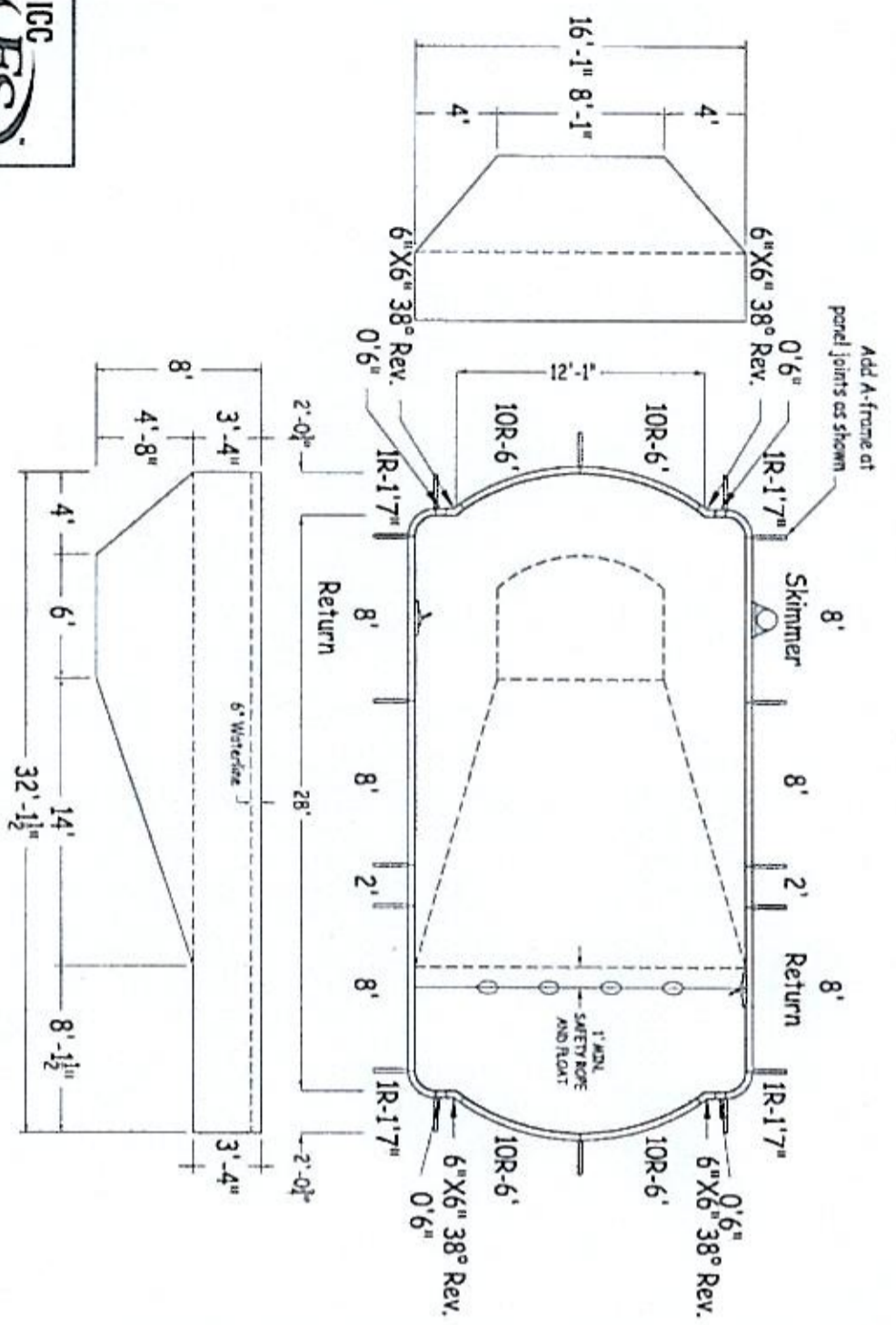
ROMAN 16' X 32'



DIVING/CLIMBING EQUIPMENT SHALL BE DESIGNED FOR SWIMMING POOLS AND SHALL BE INSTALLED IN ACCORDANCE WITH THE DIVING/CLIMBING EQUIPMENT MANUFACTURER'S SPECIFICATIONS. PLEASE CONTACT THE DIVING/CLIMBING EQUIPMENT MANUFACTURER FOR THEIR SPECIFICATIONS.

DWG #:	KARM12S1632-10
PART#:	RM12S1632
PERIMETER:	88'-3"
AREA (SqFt):	483
VOLUME (US Gal):	17 400
VOLUME (litres):	66 000
DATE:	01/Jan/2010
SAFETY COVER (SqFt):	633
SCALE:	1/8" = 1'-0"

ROMAN



Step Option 2

SHEET: 1 OF 2

MEETS DEPTH AND SHAPE MINIMUM STANDARD ANSI/SPFS-2003

