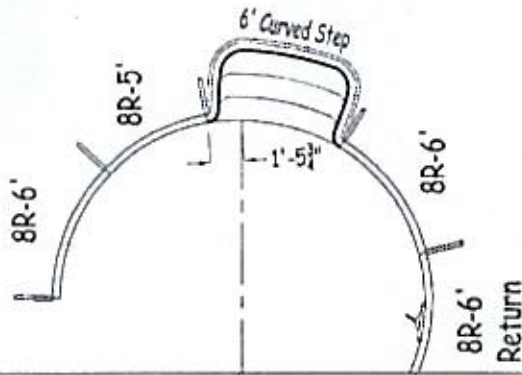
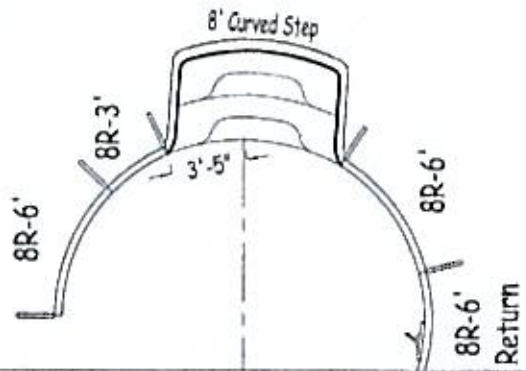


Steps Position

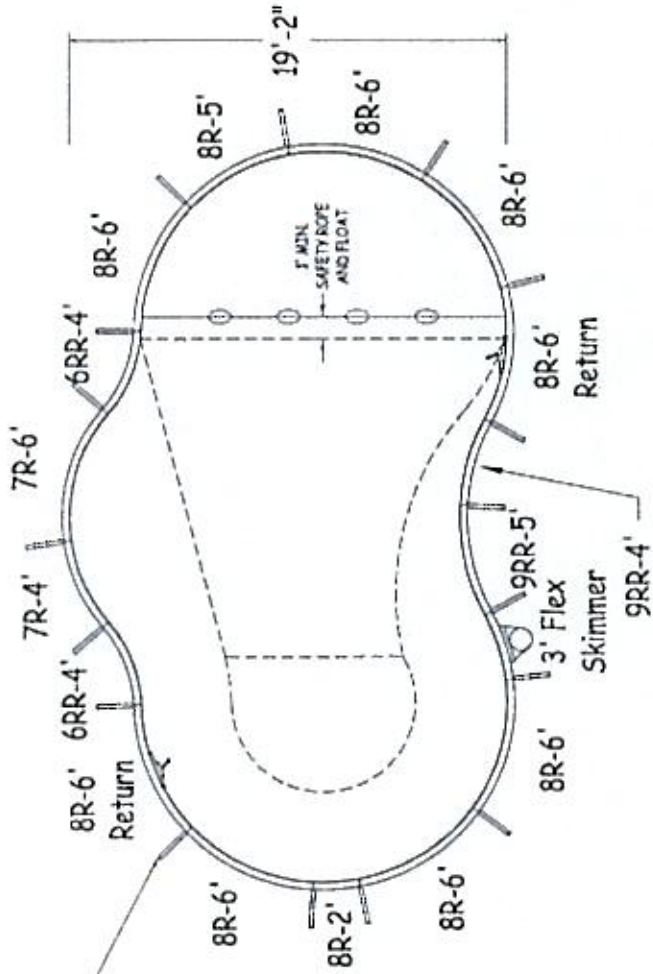


Step Option 1

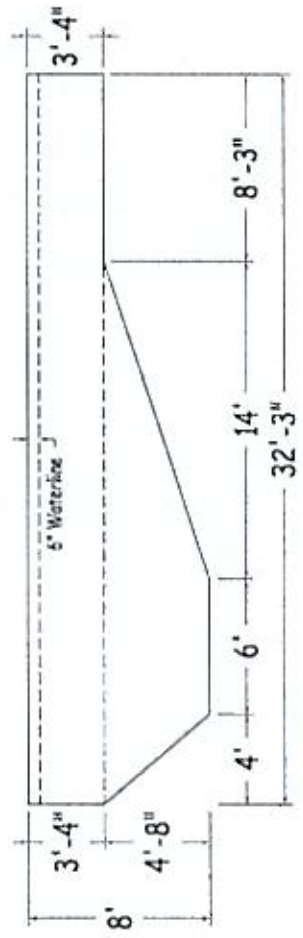
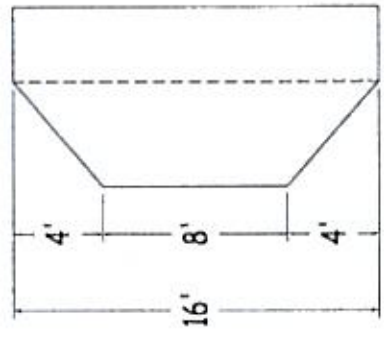


Step Option 2

SHEET: 1 OF 2



Add A-frame at panel joints as shown



DIVING SLIDING EQUIPMENT SHALL BE DESIGNED FOR SWIMMING POOLS AND SHALL BE INSTALLED IN ACCORDANCE WITH THE DIVING SLIDING EQUIPMENT MANUFACTURER'S SPECIFICATIONS. PLEASE CONTACT THE DIVING SLIDING EQUIPMENT MANUFACTURER FOR THEIR SPECIFICATIONS.



<b>OASIS 16' X 32' LEFT</b>	
PERIMETER:	65'
AREA (SqF):	472
VOLUME (US Gal):	17 100
VOLUME (Liters):	64 800
LINER AREA (SqF):	517
DATE:	01/Jan/2010
SAFETY COVER (SqF):	777
SCALE:	1/8" = 1'-0"



STEEL

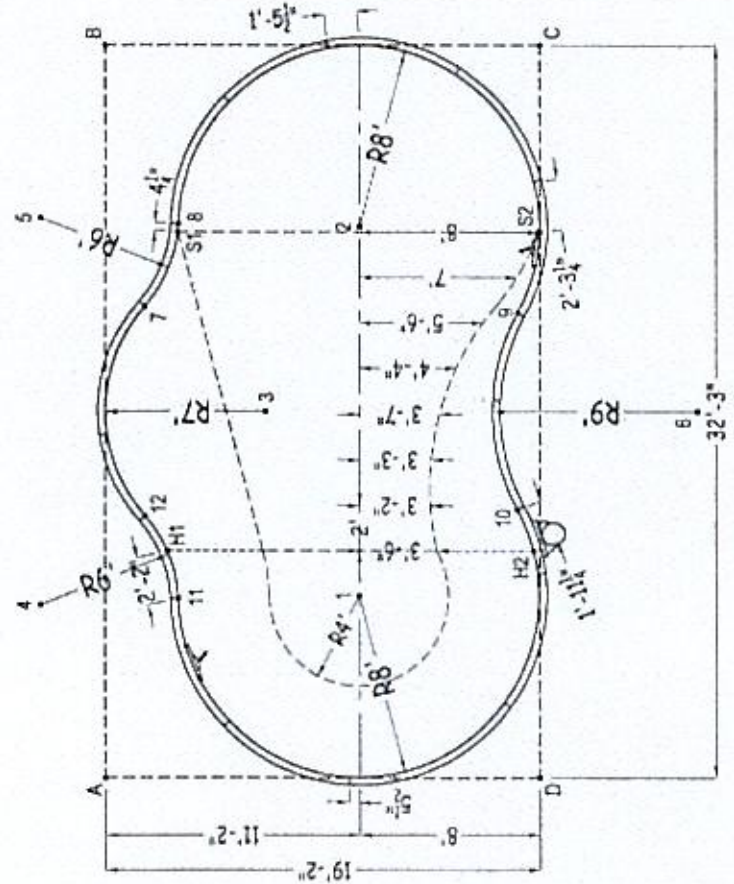
DWG #: KAGM00S1632L10

PART#: GM00S1632

**OASIS**

Center to Center	7 To 11	12-10 3/4"	
1 To 2	16'-3"	7 To 12	9'-2"
1 To 3	9'-1 1/2"	8 To 9	15'-6 1/2"
1 To 4	14'	8 To 10	19'-7"
1 To 5	21'-8"	8 To 11	16'-5 1/2"
1 To 6	17'	8 To 12	12'-10 3/4"
2 To 3	9'-1 1/2"	9 To 10	6'-7 1/2"
2 To 4	21'-9"	9 To 11	19'-7"
2 To 5	14'	9 To 12	18'-9"
2 To 6	17'	10 To 11	15'-6 1/2"
3 To 4	13'	10 To 12	16'-6"
3 To 5	13'	11 To 12	13'-11"
3 To 6	19'-1 1/4"		
4 To 5	17'-0 1/2"		
4 To 6	30'-1 3/4"		
5 To 6	30'-1 3/4"		
Diagonals			
7 To 8	3'-11"		
7 To 9	16'-8"		
7 To 10	18'-9"		

2010		Option 1	Qty	Qty
Part number	Description			
RA0720961X	8R-6' Plain		6	5
RA0720961*	8R-6' Return		2	2
RA0600961X	8R-5' Plain		1	1
RA0360960X	8R-3' Plain		-	-
RA0240960X	8R-2' Plain		1	1
RA036FLX0*	3' Flex Skinner		1	1
RA0720941X	7R-6' Plain		1	1
RA0480841X	7R-4' Plain		1	1
RR0480721X	6RR-4' Plain		2	2
RR0501081X	9RR-5' Plain		1	1
RR0481081X	9RR-4' Plain		1	1
XXX-XXX	Panel Brace		17	17
PC-HEWIR150	Hardware, Straight 150 Pack		2	2
IPC-STKPK25	Rebar Stake, 18" 25 Pack		2	2
	6ft -Curved Step		-	1
	6ft Curved Step		-	1



	A	B	C	D
1	13'-8 3/4"	26'-8 1/2"	25'-5 1/2"	11'-3 3/4"
2	26'-8 1/2"	13'-8 3/4"	11'-3 3/4"	25'-6 1/2"
3	17'-7"	17'-7"	20'-2 1/2"	20'-2 1/2"
4	6'-1 1/2"	24'-9 3/4"	33'-0 1/4"	23'-3 1/4"
5	24'-9 3/4"	6'-1 1/2"	23'-3 1/4"	33'-0 1/4"
6	30'-8 1/4"	30'-8 1/4"	17'-6 3/4"	17'-6 3/4"
7	20'-9 1/2"	11'-5"	20'-11 1/4"	27'-1"
8	24'-6 3/4"	8'-6"	17'-10"	25'-1 3/4"
9	27'-4 1/2"	21'-5 1/2"	11'-10 1/4"	20'-5 1/2"
10	21'-8 1/2"	27'-4 1/2"	20'-5 1/2"	11'-10 1/4"
11	8'-6"	24'-6 3/4"	29'-1 3/4"	17'-10"
12	11'-5"	20'-9 1/2"	27'-1"	20'-11 1/4"
H1	10'-4 1/4"	22'-5"	27'-8 1/4"	19'-3 1/2"
H2	21'-4 3/4"	29'-2 1/2"	22'-3"	10'
S1	30'-8 1/2"	20'-10 1/2"	6'-3"	24'
S2	24'-2 1/2"	8'-10"	18'-0 1/4"	28'-10 1/4"
A	-	37'-3"	37'-6 1/4"	19'-2"

OASIS 16' x 32' LEFT

DWG #: KACM0051632L10

DATE: 01/Jan/2010

SHEET: 2 OF 2