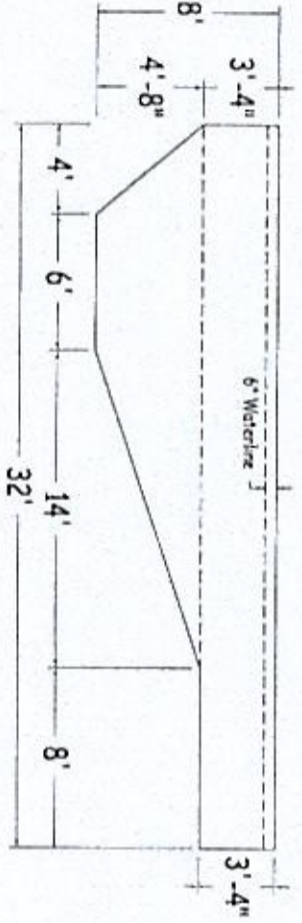
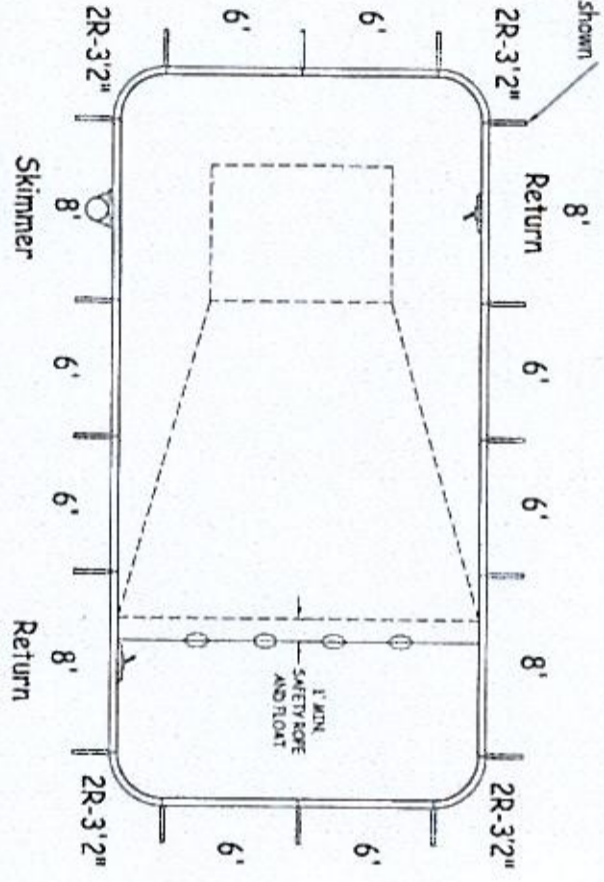


Add A-frame at panel joints as shown



**KAREO**  
POOL PRODUCTS

STEEL

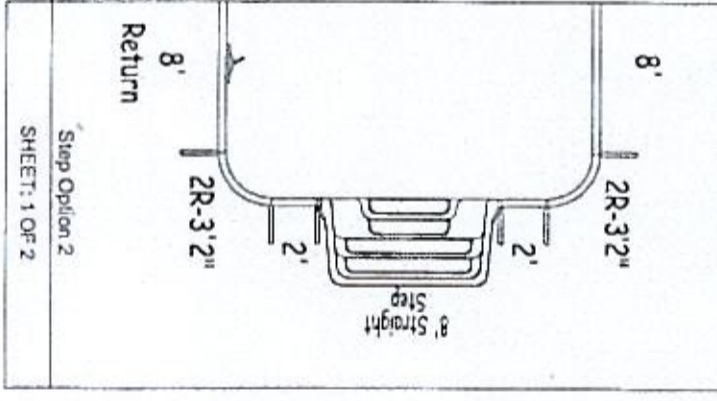
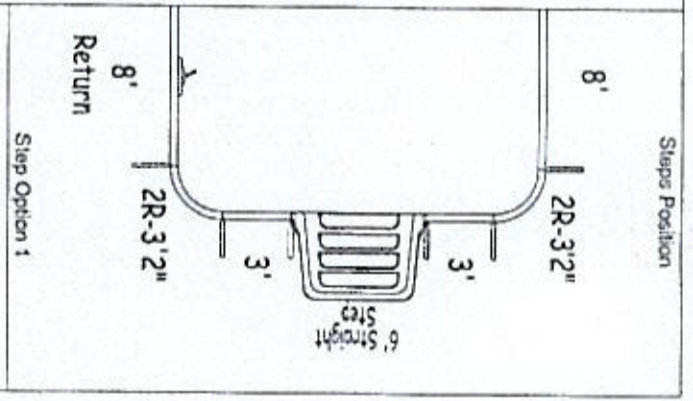
**BAHAMAMA 16' x 32'**

PERIMETER:	92'-7"	VOLUME (US Gal):	18,300
AREA (SqFt):	509	VOLUME (Litres):	69,200
LINER AREA (SqFt):	512	DATE:	01Jan/2010
SAFETY COVER (SqFt):	612	SCALE:	1/8" = 1'-0"



DIVING/CLIMBING EQUIPMENT SHALL BE DESIGNED FOR SWIMMING POOLS AND SHALL BE INSTALLED IN ACCORDANCE WITH THE DIVING/CLIMBING EQUIPMENT MANUFACTURER'S SPECIFICATIONS. PLEASE CONTACT THE DIVING/CLIMBING EQUIPMENT MANUFACTURER FOR THEIR SPECIFICATIONS.

MEETS DEPTH AND SHAPE MINIMUM STANDARD ANSIS/SPC-2003

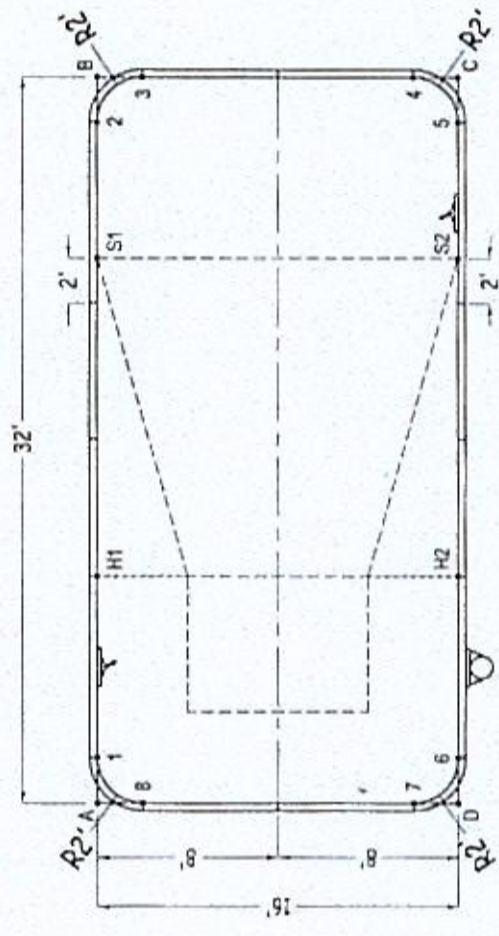


Step Option 2  
SHEET: 1 OF 2

Diagonals	4 To 6	30'-0 3/4"
1 To 2	128'	
1 To 3	30'-0 3/4"	
1 To 4	33'-1 1/4"	
1 To 5	32'-3"	
1 To 6	16'	
1 To 7	14'-1 3/4"	
1 To 8	12'-10"	
2 To 3	12'-10"	
2 To 4	14'-1 3/4"	
2 To 5	16'	
2 To 6	32'-3"	
2 To 7	33'-1 1/4"	
2 To 8	30'-0 3/4"	
3 To 4	12'	
3 To 5	14'-1 3/4"	
3 To 6	33'-1 1/4"	
3 To 7	34'-2"	
3 To 8	32'	
4 To 5	12'-10"	

# 2010

Part number	Description	Option 1		Option 2	
		Qty	Qty	Qty	Qty
ST0960002X	8' Straight Plain	1	1	1	1
ST0960002*	8' Straight Skimmer	1	1	1	1
ST0960002*	8' Straight Return	2	2	2	2
ST0720001X	6' Straight Plain	8	6	6	6
ST0360000X	3' Straight Plain	-	2	-	-
ST0240000X	2' Straight Plain	-	-	-	-
CN03602400X	2R-32" Corner	4	4	4	4
XXX-XXX	Panel Brace	16	17	17	17
PC-HWSTIR150	Hardware, Straight 150 Pack	2	2	2	2
IPC-STPK25	Rebar Stake, 18" 25 Pack	2	2	2	2
	6ft Straight Step	-	1	-	-
	8ft Straight Step	-	-	-	1



	A	B	C	D
1	2'	30'	34'	16'-1 1/2"
2	30'	2'	16'-1 1/2"	34'
3	32'-0 3/4"	2'	14'	34'-11 1/4"
4	34'-11 1/4"	14'	2'	32'-0 3/4"
5	34'	16'-1 1/2"	2'	30'
6	16'-1 1/2"	34'	30'	2'
7	14'	34'-11 1/4"	32'-0 3/4"	2'
8	2'	32'-0 3/4"	34'-11 1/4"	14'
H1	10'	22'	27'-2 1/2"	18'-10 1/2"
H2	18'-10 1/2"	27'-2 1/2"	22'	10'
S1	24'	8'	17'-10 3/4"	25'-10 1/4"
S2	26'-10 1/4"	17'-10 3/4"	8'	24'
A	-	32'	35'-9 1/4"	16'

BAIYAMA 16' x 32'

DWG #: KARE24S1632-10 DATE: 01/Jan/2010

SHEET: 2 OF 2

